



120MPa

Super High Pressure Coriolis Flowmeters



**The maximum operating pressure is 120MPa!
Response to the growing need for higher
pressure for the realization of a hydrogen society!
This flowmeter is suitable for high-pressure
hydrogen measurement!**

■ GENERAL PERFORMANCE

Item	Description
Flow range	2.4 to 300kg/h
Accuracy	Less than 9.6kg/h: $\pm 0.125\%$ of the maximum service rate
	9.6kg/h or above to the maximum allowable rate or less: $\pm 0.5\%$ of reading

GENERAL SPECIFICATIONS

• Sensor Unit

Item	Description
Model	CA004 □ □ 2X
Nominal size	9/16"
Material	Wetted parts
	Housing
Connector connection	High-press. cone & thread connection, size 9/16 562C (male thd. 1-1/8-12UNF)
Applicable fluids	Liquids and gases (*1)
Density range	0 to 2.0 g/mL
Temperature range (Structural rating)	-40 to +130°C
Maximum operating pressure	120MPa (at 93°C)
Flow direction	Forward and reverse, both available
Explosionproof configuration	TIIS, ATEX, IECEx, KCs, CSA, NEPSI
Weight (Terminal box and mtg. base incl.)	Approx. 21kg

*1: For required operating pressure of gas measurement, contact OVAL.

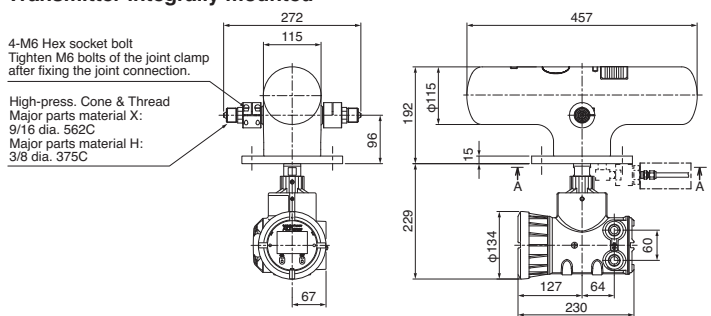
*: Density and volume flow measurements are unavailable.

*: Since the casing of sensor unit is not pressure resistant, the withstanding pressure rating of the casing is not indicated. To afford adequate protection, an Rc1/4 boss is provided; use customer's discretion in providing a rupture disc (Supported with options we offer.), pressure switch, etc. Rupture disc pressure rating and pressure switch setting is 7 MPa (G).

*: For high pressure gas safety regulations-compliant models, contact OVAL.

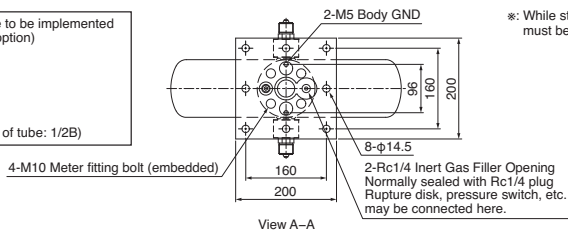
DIMENSIONS

• Transmitter integrally mounted

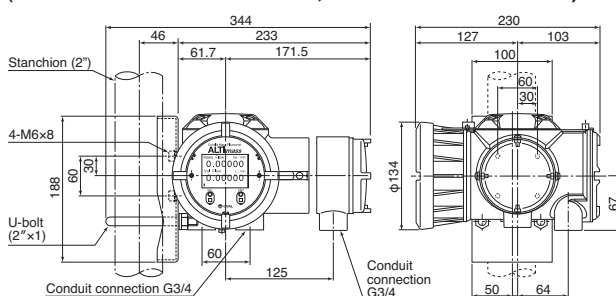


The sections indicated by dashed-dotted line are to be implemented by the user (With rupture disk for implementing option)

Recommended joint: Swagelok tube joint
Model: SS-810-1-4RT
(External thread: 1/4B, External diameter of tube: 1/2B)

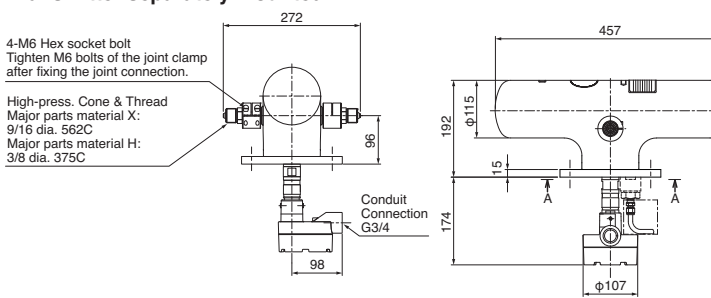


• Separately located transmitter (For the rack-mount transmitter, refer to GS No.GEJ516E.)



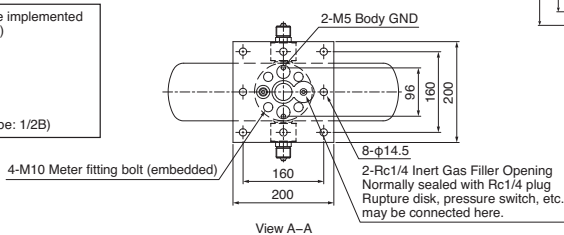
*: While stanchion mounting hardware (U-bolt) is furnished as standard accessories, the stanchion itself must be provided by the customer.

• Transmitter separately mounted

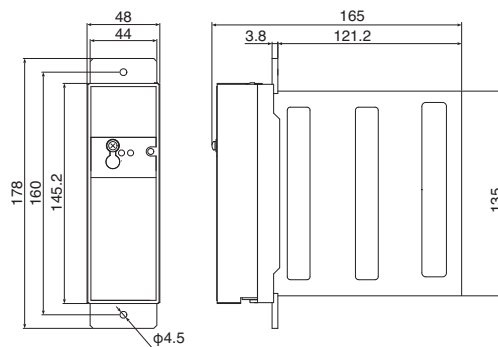


The sections indicated by dashed-dotted line are to be implemented by the user (With rupture disk for implementing option)

Recommended joint: Swagelok tube joint
Model: SS-810-1-4RT
(External thread: 1/4B, External diameter of tube: 1/2B)



• Rack-mount transmitter



The specification as of April, 2022 is stated in this catalog. Specifications and design are subject to change without notice.



OVAL Corporation

3-10-8 Kamiochiai, Shinjuku-ku, Tokyo 161-8508
Phone: +81 3-3360-5121 FAX: +81 3-3365-8605

<https://www.oval.co.jp/english>

