



Vortex Flow Monitor Eggs DELTA Pulse



- Made of PPS resin: compact, lightweight, and economical.
- Ideal for consumption management of energy-fluids or coolant, as well as end-of-process flow monitoring via installation to various equipment.
- Capable of measuring wide range of liquid and gas.
- Resistant to dust and mist. Capable of wet-gas measurement.
- Maintenance free due to absence of moving parts.
- ATEX, TIIS compliant.

■ GENERAL SPECIFICATIONS

Item	Description			
Nominal size	4mm	8mm	15mm	25mm
Flow range (L/min)	Water	1.1 to 15	2.8 to 45	8.3 to 133
	Air	7.2 to 17	18 to 90	55 to 283
Process connection	R male (resin), NPT male (resin), Rc female (metal)			
Enclosure	Non-explosionproof or explosionproof			
Accuracy	Liquid: ±2% of full scale or better		Gas: ±3% of full scale or better	
Max. operating pressure	0.98MPa			
Fluid temp. range	Standard: -20 to +80°C Explosionproof: -20 to +60°C			
Ambient temp. range	-20 to +60°C			
Major Materials	Meter body, Transmitter housing: PPS resin (Polyphenylene sulfide)			O-ring: Viton
Power supply	12 to 24VDC			
Output	Flow pulse: Open collector (Capacity: 30VDC, 20mA), Pulse width: Duty ratio 1:1 approx.			
Dusttight/waterproof rating	IP65 (※1)			
Installation location	Free from rain and water with minimal temperature variation, not exposed to the sun.			

※1: IP ratings vary according to structures.

■ UNFACTORED PULSE UNITS OF MEASUREMENT (NOMINAL VALUES)

Nominal size (mm)	Pulse units mL/P		Freq. at max. flowrate (Hz)	
	Liquid	Gas	Liquid	Gas
4	0.0890	0.890	750	320
8	0.5406	5.406	460	280
15	2.363	23.63	320	200
25	12.66	126.6	180	120

■ EXPLOSIONPROOF RATINGS

Exp. ratings	Flowmeter		Barrier
	TIIS	Exia IIB T4	(Exia) IIB
	ATEX	Exia IIB T4 Ga/Gb	(Exia Ga) IIB

※ Barrier to be installed in a nonhazardous area.

■ EMC SPECIFICATIONS

Applicable EU directives	EMC directives: 2014/30/EU
Applicable standards, etc.	EMC directives: EN61326-1 Class A

■ PRODUCT CODE EXPLANATION

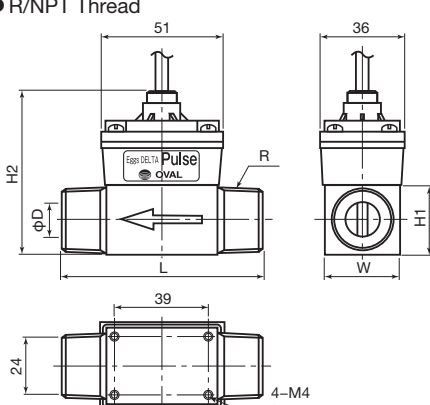
Item	Code No.										Description
	①	②	③	④	⑤	⑥	⑦	⑧	⑨	⑩	
Model	F	L	P								Eggs DELTA Pulse
Nominal size	0	4	-								4mm
	0	8	-								8mm
	1	5	-								15mm
	2	5	-								25mm
Acceptable fluids						L	1				Liquid
						G	2				Gas
Process connection								P			R (male thread) Process connection material : PPS
								S			Rc (female thread) Process connection material : SCS14A
								N			NPT (male thread) Process connection material : PPS
Version									B		Always "B"
Construction										0	Non-explosionproof
										1	TIIS Intrinsically safe enclosure: Sensor + barrier
										2	ATEX Intrinsically safe enclosure: Sensor + barrier

■ BARRIER

Item	Description
Power	12 to 24VDC
Current drain	10mA max.
Pulse output	Open collector pulse (Capacity: 30VDC, 20mA)
Operating temp. range	-20 to +50°C
Major parts material	Housing : Polycarbonate
Dusttight, waterproof enclosure	IP30

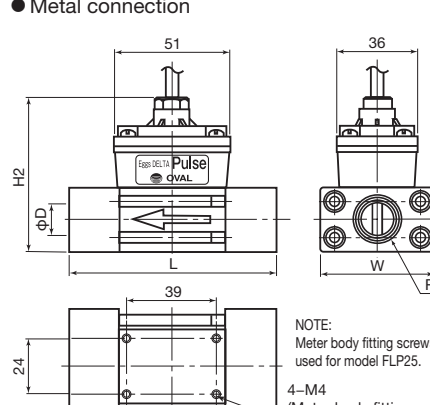
■ OUTLINE DIMENSIONS

● R/NPT Thread



Nom. size (mm)	φD	R	L	W	H1	H2	Approx. weight (g)
4	8.5	R3/8 NPT3/8	80	32	29	68	270
8	13	R1/2 NPT1/2	80	32	29	68	270
15	14	R3/4 NPT3/4	85	32	29	68	280
25	24.5	R1-1/4 NPT1-1/4	120	46	46	85	410

● Metal connection

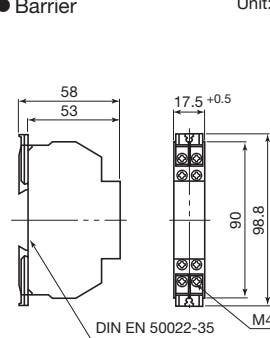


NOTE: Meter body fitting screws cannot be used for model FLP25.

Nom. size (mm)	φD	Rc	L	W	H1	H2	Approx. weight (g)
4	8.5	Rc1/4	91	50	29	68	650
8	10.7	Rc1/4	91	50	29	68	650
15	14	Rc1/2	91	50	29	68	650
25	24.5	Rc1	126	46	46	85	950

● Barrier

Unit: mm



Approx. weight : 60g

The specification as of January, 2021 is stated in this catalog. Specifications and design are subject to change without notice.



OVAL Corporation

3-10-8 Kamiuchiai, Shinjuku-ku, Tokyo 161-8508
 Phone: +81 3-3360-5121 FAX: +81 3-3365-8605

<https://www.oval.co.jp/english>

