



BATCH COUNTER EL1812

Touch Panel Type!

Setup can be changed on the Touch Panel



Highly Viewable Screen!

Easy to Operate!

Batch operation by push button switches

Extensive Renewal
(Secured Compatibility
with Old Model)

Functional Aspect (In/ Out Signals, Parameters)
Panel Mounting Size (Front Panel: 96 × 96)

Easy Parameters Setting by Intuitive Operation!



Touch the Place to Change!



Simple Input Operation
with a Numerical Key Pad!

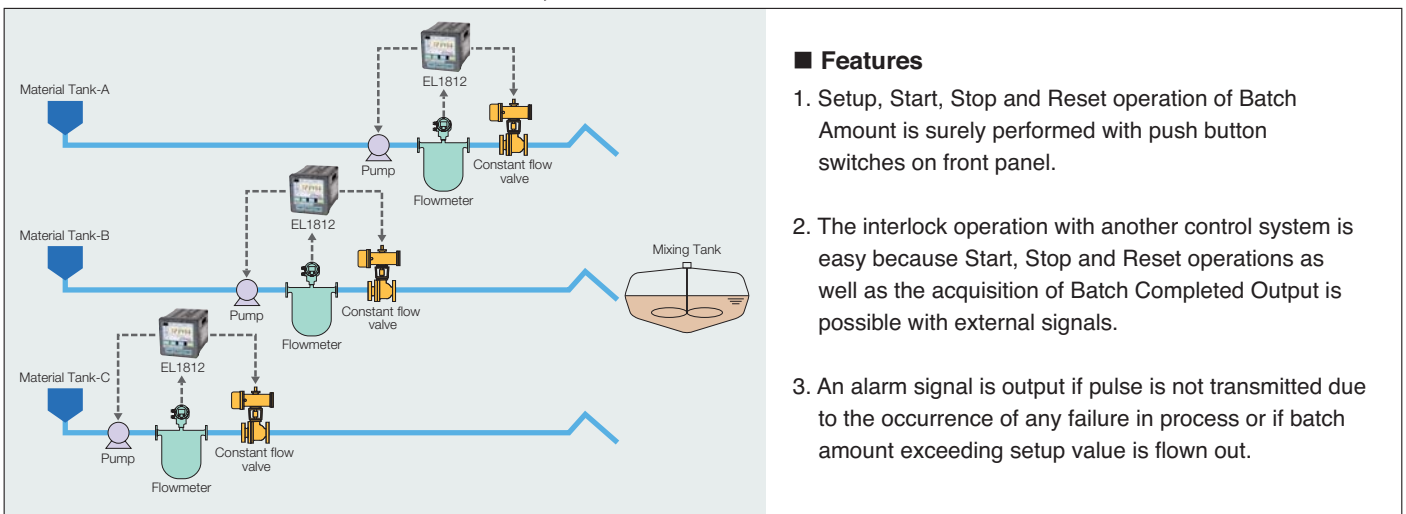
- Extensively Improved Operability with Touch Panel!
- Easy to Look at Screen with Full Dot Color Liquid Crystal!
- 9 kinds of Batch Amount Presetable!
Arbitral Batch Amount Settable!

■ GENERAL SPECIFICATIONS

Item	Description
Type of operation	Pulse addition
Display	Batch amount totalized display: 6 digits color LCD Batch setting amount display: 6 digits color LCD Cumulative total value is displayed by TOTAL button 9 digits Channel display: 2 digits color LCD Error code is displayed when an alarm is generated Operation status indicator: RUN (yellow) / END (green) / ALARM (red) / interlock (blue) / measurement unit / MV (red) / SV (red) / PUMP (red)
Buttons	Channel select: Touch panel operation CH.1 to 9, CH.F (channel free) total 10 channels
Buzzer	For generating alarm: electronic buzzer mounted on board
Power source	85 to 264VAC50/60Hz
Ambient temperature	-10 to +50°C
Configuration	Non-explosionproof
Installation	Panel mount type
Housing material	Polycarbonate
Outline dimensions	96 (W) × 96 (H) × 142.1 (D) (batch counter body only)
Weight	Approx. 1kg (batch counter body only)
Noise resistance	EMC EN55011 EN61000-6-2

※ Refer to the general specification for details.

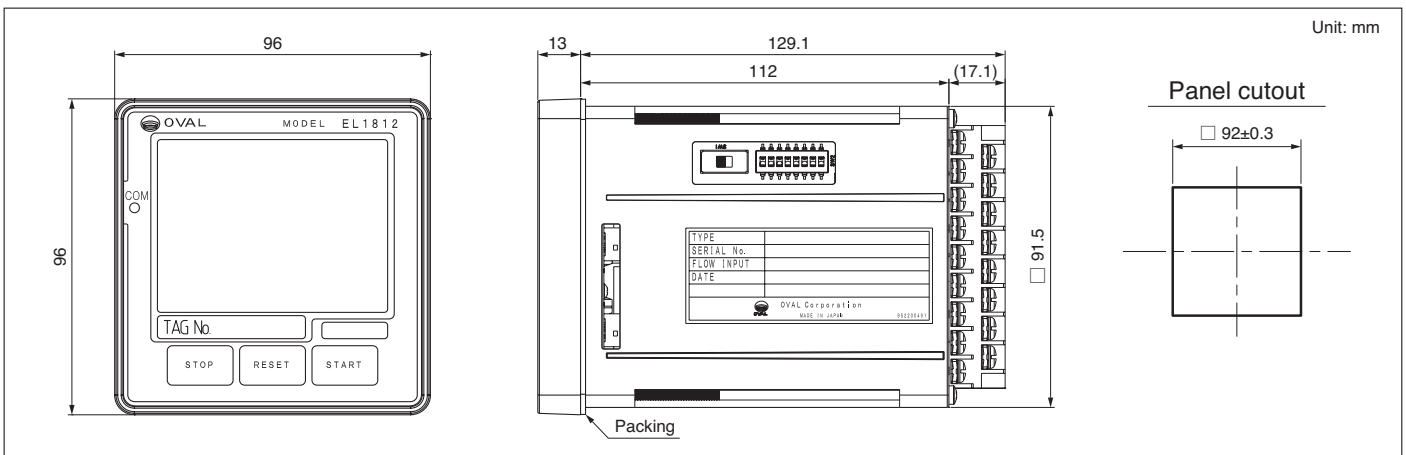
■ CONFIGURATION IMAGE OF BATCH COUNTER, EL1812 SYSTEM



■ Features

1. Setup, Start, Stop and Reset operation of Batch Amount is surely performed with push button switches on front panel.
2. The interlock operation with another control system is easy because Start, Stop and Reset operations as well as the acquisition of Batch Completed Output is possible with external signals.
3. An alarm signal is output if pulse is not transmitted due to the occurrence of any failure in process or if batch amount exceeding setup value is flown out.

■ OUTLINE DIMENSIONS



• The specification as of March, 2017 is stated in this catalog. Specifications and design are subject to change without notice.
• All content of this catalog is copyrighted by OVAL Corporation. Any reproduction of the content, in partial or in whole, without permission from OVAL is strictly prohibited.



OVAL Corporation

3-10-8 Kamiochiai, Shinjuku-ku, Tokyo 161-8508, Japan
Tel. 81-3-3360-5121 Fax. 81-3-3365-8605

<http://www.oval.co.jp/english>

