



Monitors air and nitrogen flows.



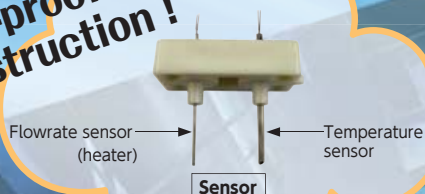
Mass Flow Monitor



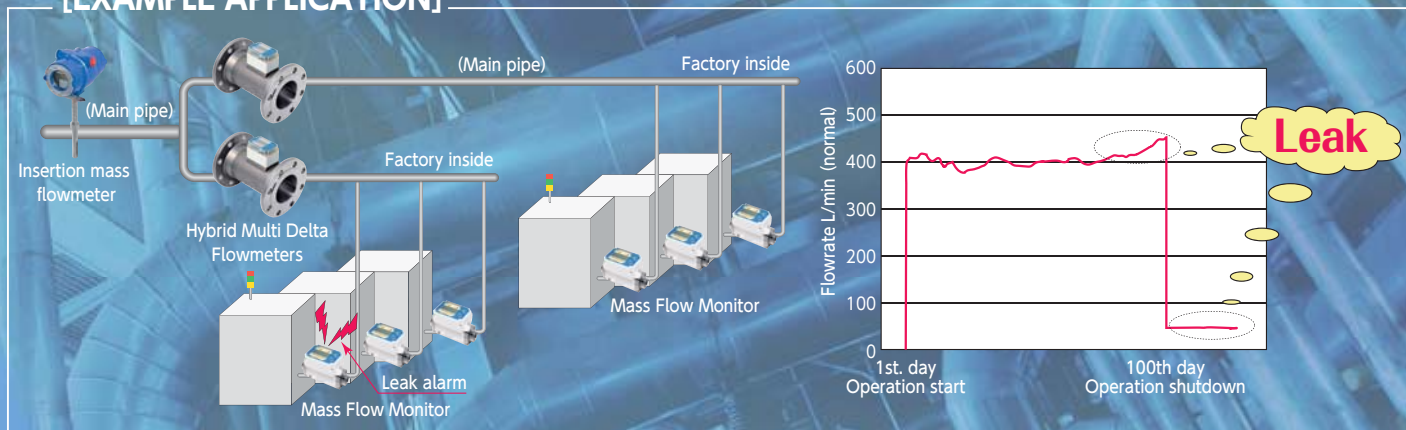
Wide range and low pressure loss at competitive price

1. Boasts an exceptionally wide flow range (10 to 600 (15mm), 135 to 8000 (50mm) L/min (normal)) and rangeability "1:60" no other meter can match. Accurate detection capability that extends to extremely low flowrates makes it ideal, not only to measure air consumption but also to locate air leaking spot.
2. Thanks to the thermal dispersion principle of operation to detect mass flow, it requires no corrections for temperature and pressure. It directly indicates flowrate under normal operating conditions (at 0°C, 1 atm), which means most cost effective.
3. Besides "total", "cumulative total" and "instantaneous flowrate (an hour every share)", the display shows "Yen equivalent" an ideal for utility flowrate from an energy saving point of view.
4. The sensor element is durable to dust, mist, etc. because it is protected by stainless sheathed pipe.

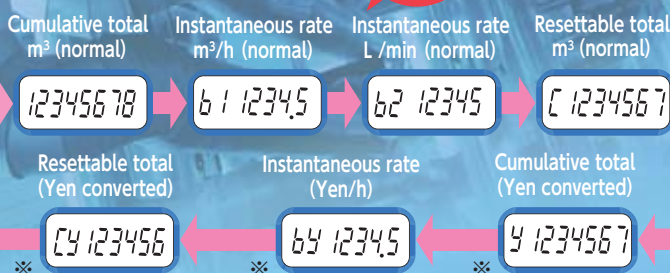
Dust-proof and mist-proof construction!



[EXAMPLE APPLICATION]



■ Upon depression of the front panel button , the LCD screen scrolls through variables.



Note : When Yen conversion factor is set to zero, variables marked * are not shown.

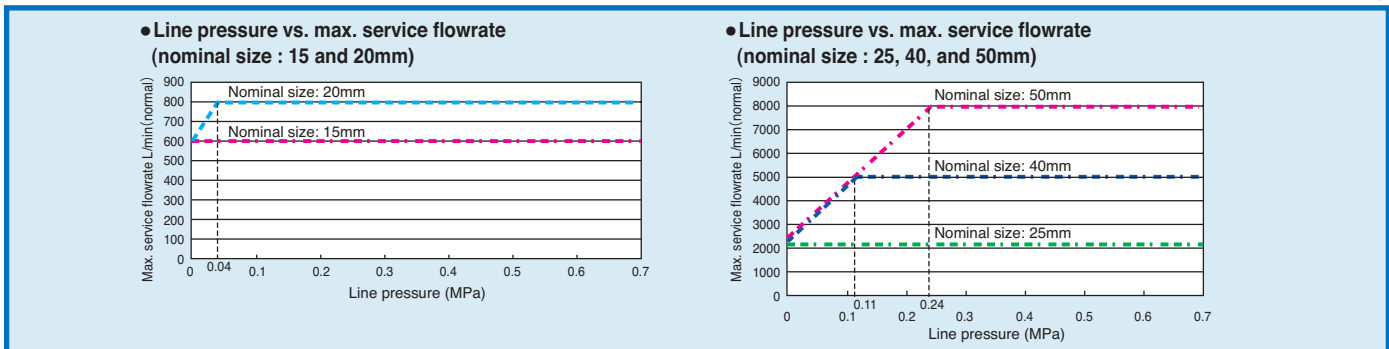
■ GENERAL SPECIFICATIONS

Item	Description					
	TF1015	TF1020	TF1025	TF1040	TF1050	
Model	TF1015	TF1020	TF1025	TF1040	TF1050	
Nominal size	15mm	20mm	25mm	40mm	50mm	
Connection rating	Rc 1/2 (Female)	Rc 3/4 (Female)	Rc 1 (Female)	Rc 1·1/2 (Female)	Rc 2 (Female)	
Flow range L/min(normal)	10 to 600	15 to 800	35 to 2200	85 to 5000	135 to 8000	
Fluid temperature	0 to 50°C					
Ambient temperature	0 to 50°C (free from dew condensation)					
Pressure range	0 to 0.7MPa					
Accuracy	When metered fluid falls below 40% of full scale rate.		When metered fluid exceeds 40% of full scale rate.			
	Repeatability	±0.8% max. of full scale.		±2% max. of reading		
	Linearity	±2% max. of full scale.		±5% max. of reading		
	Press. response	±0.12% max. of full scale / 0.1MPa max.		±0.3% of reading / 0.1MPa max.		
	Temp. response	±0.2% max. of full scale / °C max.		±0.5% of reading / °C max.		
Display	7-segment 8-digit LCD (backlighted with meas. unit indicated) Display is rotatable in 90°steps.					
	· Instantaneous rate : m ³ /h (normal) , L/min (normal) · Resettable total, cumulative total : m ³ (normal) · Yen equivalent (cumulative total, instantaneous flowrate, resettable total) LEDx2 points (Lights up in an alarm condition.)					
Output	Flow pulse (open collector output) (Pulse width 1 to 240ms adjustable)			Pulse unit at the time of the factory shipment : L/P (normal)		
	Flow analog 4 to 20mA Max. load resistance 500Ω			15mm	20mm	25mm
Alarms (2 points, open collector output)				40mm	50mm	
				0.1	1	
Pressure loss	10kPa max. (when allowed to flow at max. rate above 0.3MPa.)					
Power supply	24VDC±10% 100mA max. (Analog output 4 to 20mA is not included)					
Cable	5-conductor cable (6.3mm O.D.) or 4-conductor shielded cable (6mm O.D.) (*1)					

*1 : Varies with the type of output terminals.

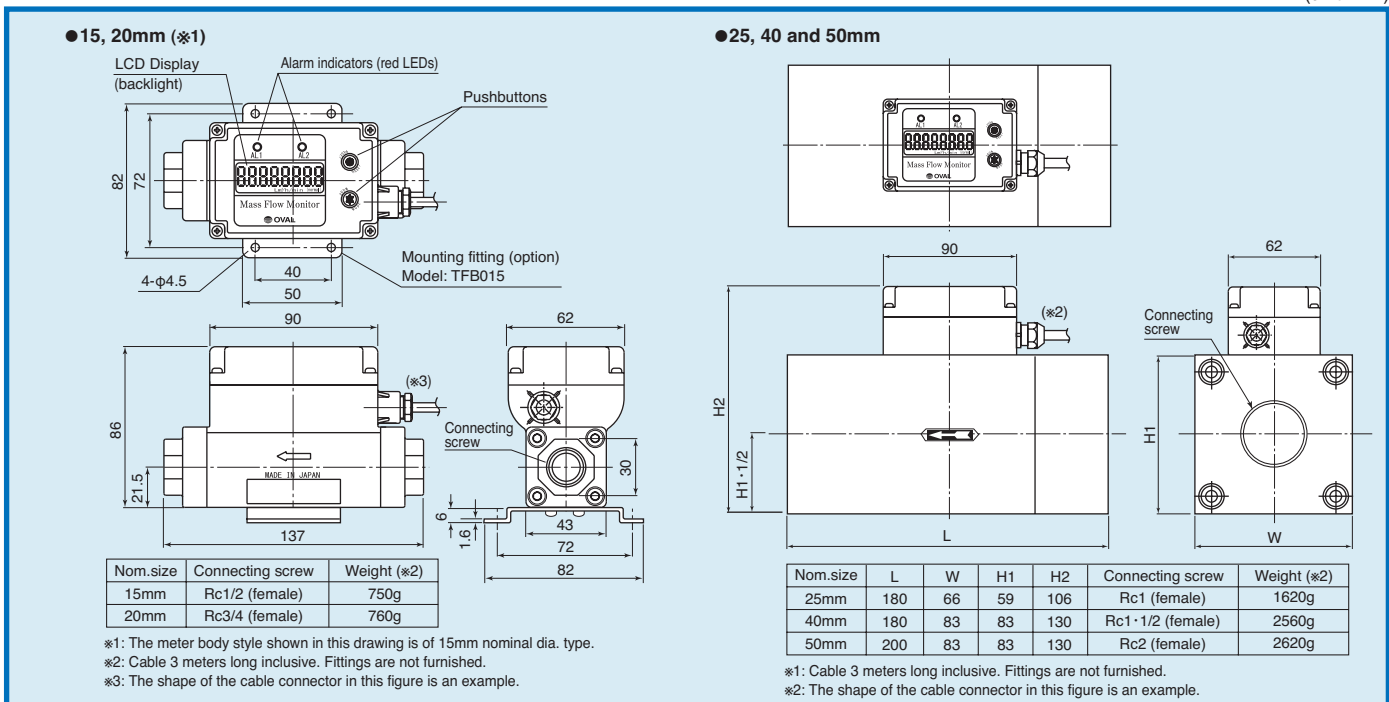
■ MAX. FLOWRATE

The max. service flowrate varies with line pressure. Determine the max. service flowrate based on the curves below and place the monitor in service within that rating.



■ OUTLINE DIMENSIONS

(unit: mm)



The specification as of Jul., 2012 is stated in this catalog. Specifications and design are subject to change without notice.



OVAL Corporation

3-10-8 Kamiochiai, shinjuku-ku, Tokyo 161-8508
 Phone: 81-3-3360-5121 FAX: 81-3-3365-8605

<http://www.oval.co.jp>

